

## 0.6t Mast Specification

Type	Model	Lift height	Lowered height	Extended height		Free lift height		Tilt range		Capacity (Mast vertical to ground)	
				With backrest	Without backrest	With backrest	Without backrest	Forward	Backward	Load center@400mm Single Tire	
				mm	mm	mm	mm	deg	deg	0.6t	
2-stage wide view mast	M200	2000	1505	2800	2475	100	100	4	8	600	
	M250	2500	1755	3300	2975	100	100	4	8	600	
	M270	2700	1855	3500	3175	100	100	4	8	600	
	M300	3000	2005	3800	3475	100	100	4	8	600	
	M330	3300	2155	4100	3775	100	100	4	8	600	
	M350	3500	2255	4300	3975	100	100	4	8	600	
	M370	3700	2355	4500	4175	100	100	4	8	550	
	M400	4000	2605	4800	4570	100	100	4	4	500	
	M430	4300	2785	5100	4900	100	100	4	4	450	
	M450	4500	2905	5300	5120	100	100	4	4	400	
2-stage full-free lifting mast	U200	2000	1505	2800	2495	705	1010	4	8	600	
	U250	2500	1755	3300	2995	955	1260	4	8	600	
	U270	2700	1855	3500	3195	1055	1360	4	8	600	
	U300	3000	2005	3800	3495	1255	1510	4	8	600	
	U330	3300	2155	4100	3795	1355	1660	4	8	600	
	U350	3500	2255	4300	3995	1455	1760	4	8	500	
	U370	3700	2355	4500	4195	1555	1860	4	8	450	
	U400	4000	2605	4800	4545	1755	2010	4	4	350	
	N350	3500	1675	4310	4015	875	1160	4	4	450	
	N370	3700	1735	4500	4195	935	1240	4	4	400	
3-stage full-free lifting mast	N400	4000	1835	4800	4495	1035	1340	4	4	350	
	N430	4300	1935	5100	4795	1135	1440	4	4	300	
	N450	4500	2005	5310	5005	1205	1500	4	4	250	

## 0.8/1.0t Mast Specification

Type	Model	Lift height	Lowered height	Extended height		Free lift height		Tilt range		Capacity (Mast vertical to ground)	
				With backrest	Without backrest	With backrest	Without backrest	Forward	Backward	Load center@400mm Single Tire	
				mm	mm	mm	mm	deg	deg	0.8t	1.0t
2-stage wide view mast	M200	2000	1505	2800	2475	100	100	5	10	800	1000
	M250	2500	1755	3300	2975	100	100	5	10	800	1000
	M270	2700	1855	3500	3175	100	100	5	10	800	1000
	M300	3000	2005	3800	3475	100	100	5	10	800	1000
	M330	3300	2155	4100	3775	100	100	5	10	800	1000
	M350	3500	2255	4300	3975	100	100	5	10	800	1000
	M370	3700	2355	4500	4175	100	100	5	10	750	900
	M400	4000	2605	4800	4570	100	100	4	8	700	850
	M430	4300	2785	5100	4900	100	100	4	8	650	800
	M450	4500	2905	5300	5120	100	100	4	8	600	700
2-stage full-free lifting mast	U200	2000	1505	2800	2495	705	1010	5	10	800	1000
	U250	2500	1755	3300	2995	955	1260	5	10	800	1000
	U270	2700	1855	3500	3195	1055	1360	5	10	800	1000
	U300	3000	2005	3800	3495	1255	1510	5	10	800	1000
	U330	3300	2155	4100	3795	1355	1660	5	10	800	1000
	U350	3500	2255	4300	3995	1455	1760	5	10	750	900
	U370	3700	2355	4500	4195	1555	1860	5	10	700	850
	U400	4000	2605	4800	4545	1755	2010	4	8	600	700
	N350	3500	1675	4310	4015	875	1160	4	8	700	800
	N370	3700	1735	4500	4195	935	1240	4	8	650	750
3-stage full-free lifting mast	N400	4000	1835	4800	4495	1035	1340	4	8	600	650
	N430	4300	1935	5100	4795	1135	1440	4	8	500	550
	N450	4500	2005	5310	5005	1205	1500	4	8	400	450



### Hangcha Europe GmbH

Mariechen-Graulich-Straße 12a,  
65439 Flörsheim am Main,  
Germany

Administration  
Tel: 0049-61453769188  
E-mail: admin@hangchaeurope.com

Sales Management  
Thomas Dittrich  
Mob: 0049-16096548808  
E-mail: thomas.dittrich@hangchaeurope.com

Technical Support  
Thomas Pannke  
Mob: 0049-01759284213  
E-mail: thomas.pannke@hangchaeurope.com

www.hangchaeurope.com



Folgen Sie uns auf Instagram



Folgen Sie uns auf Facebook



Folgen Sie uns auf YouTube



"Hangcha Forklift" App herunterladen



ISO14001:2015



ISO9001:2015



HANGCHA trucks conform to the European Safety Requirements.

HANGCHA Group Co., LTD behält sich das Recht vor, Änderungen bezgl. Farbe, Spezifikationen, Ausstattung und sonstige Details, dieser Broschüre ohne Vorankündigung vorzunehmen. Fahrzeugfarben können von den Farben in dieser Brochure abweichen.

2025 VERSION LICHTDRUCK 2025/04



INNOVATIVE LITHIUM-ION

## X Series 3-Wheel Electric Forklift

with capacities of 600 to 1,000kg

The World of Hangcha  
SINCE 1956





# X Series 3-Wheel Electric Forklift

Hangcha's X series 0.6-1.0t 3W electric forklifts are a new series of high-efficiency, energy-saving small-tonnage electric counterbalanced forklifts with a new structure that represents a breakthrough over the traditional design concept. With a compact structure, small turning radius and light weight and high maneuverability, the truck is widely used in narrow operation places, e.g., used for handling between floors, to and from elevators or in warehouses, supermarkets, workshops, etc.

## Appearance

/ The whole truck is small and flexible, adopting a combination of straight lines and streamlined curved surfaces, with a simple appearance and strong strength.

## Stability

/ Thanks to the low center of gravity layout and design of the battery and counterweight, the vehicle has a low center of gravity and good stability.  
/ The steering wheel adopts two rubber wheels, with good turning stability.

## Energy saving and high efficiency

/ The front-wheel drive provides, strong power, high driving speed, high lifting speed, strong climbing ability and high operating efficiency.  
/ The front wheel is equipped with patterned rubber tires, so it is not easy to slip on the ground with water, sand, slope, and cold storage.  
/ EPS (Electric Power Steering) system only works when turing, so that energy consumption can be reduced significantly.  
/ Built-in charger improves efficient and convenient operation greatly.  
/ The truck is equipped with energy-saving and durable LED lights.

## Comfort

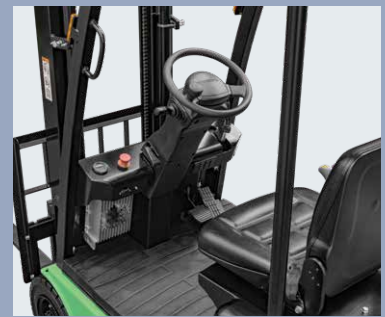
/ Excellent ergonomic design and large operation space provide the operator with more comfort, and satisfy the operator's needs for long-term and high-intensity operations.  
/ EPS (Electric Power Steering) system, and a comfortable steering force can be adjusted with software, so that the steering is easier and the work intensity of the operator is reduced.  
/ The angle of the steering wheel column is adjustable and the seat can be adjusted backwards and forwards, so that the operator can get a good ride experience.  
/ The multi-way valve is easy to operate, reducing the work intensity of the operator.

## Safety

/ The optimized design of the wide-view mast and the low dashboard enable a wide front view and higher safety, and minimizes the blind view to the greatest extent.  
/ The emergency power-off switch complies with European safety standards.  
/ The electronic and hydraulic overload protection comply with safety regulations.  
/ OPS system(Opt.) can improve safety greatly.



Wide view mast



Large and comfortable operation space



LED meter



Built-in charger



Lithium battery pack







## Standard Specification

- / Tread solid tire
- / Anti-skid patterned step
- / Dual multiway valve
- / Silent gear pump
- / 2.5m duplex wide-view mast
- / Fork length 770mm
- / Adjustable steering wheel column
- / Rearview mirror
- / Emergency power off switch
- / Color screen instrument
- / Front LED headlight
- / Rear combination LED light
- / Horn, reversing buzzer

## Advancement

- / Full AC motors, precise speed control, maintenance-free , temperature monitoring.
- / Equipped with an AC controller, so that the driving, steering, lifting, tilting and other actions can be controlled by a computer.
- / The high-efficiency driving control system with a high-frequency integrated MOSFET controller ensures stable and accurate driving and lifting and superior speed regulation performance, and has the functions of regenerative braking, reverse braking and protection for preventing sliding down a ramp, etc. to enable safer and more effective and comfortable operations.
- / The LED meter can accurately display information in harsh environments.

## Options

- / Non-marked solid tire
- / Triple multiway valve
- / 2-4.5m duplex wide-view mast
- / 2-4m full free duplex mast
- / 3.5-4.5m triplex mast
- / Widened fork carriage and load backrest
- / External sidsifter
- / Other attachments
- / Foldable forks of different lengths
- / Forks of other lengths
- / Cold storage
- / Left and right rear view mirrors
- / Rear LED working light
- / Warning light
- / Charger
- / OPS system



Optional battery capacity			
Capacity (Ah/5h)	0.6t	0.8t	1t
125(Lithium)	●	—	—
250(Lithium)	—	●	●
300(Lithium)	—	○	○
168(Lead-acid)	●	—	—
200(Lead-acid)	○	—	—
294(Lead-acid)	—	●	—
336(Lead-acid)	—	○	—
400(Lead-acid)	—	○	●

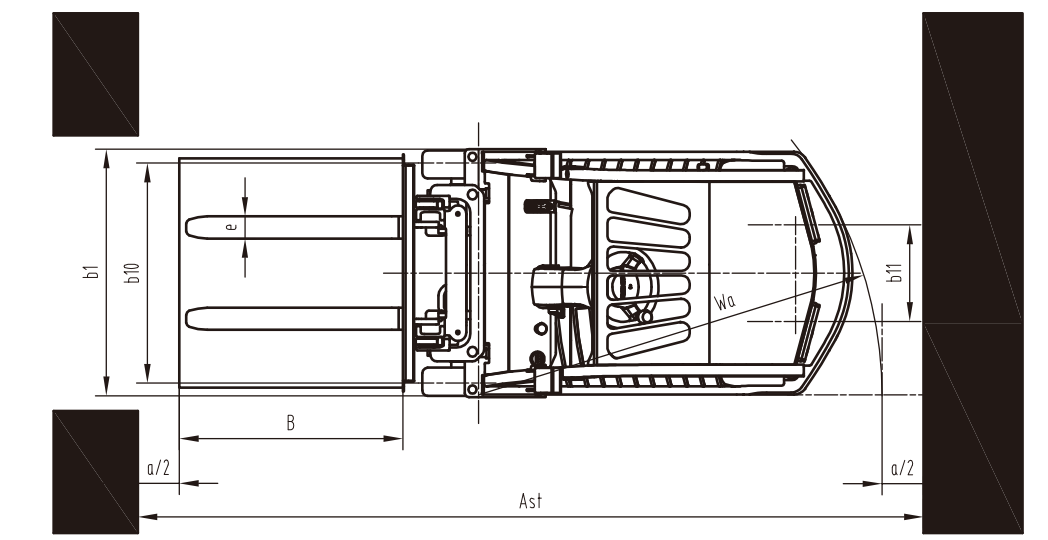
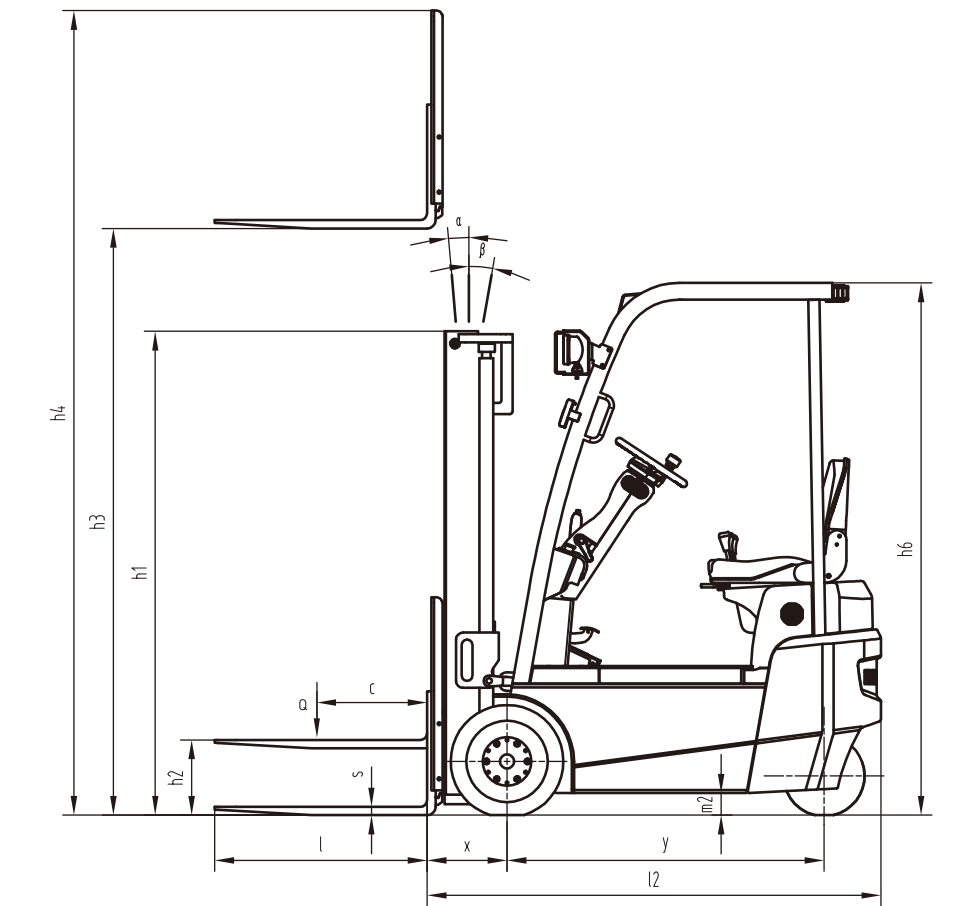
Note: ● Battery; ○ Battery Opt; — Null



# X Series 3-Wheel Electric Forklift Specification

		HANGCHA GROUP CO.,LTD.							
Distinguishing mark	1.1	Manufacturer							
	1.2	Manufacturers type designation	CPD506-XD4*/j2*	CPD506-XD4*/j2*	CPD510-XD4*/j2*	CPD506-XD4*/j2*-I	CPD508-XD4*/j2*-I	CPD510-XD4*/j2*-I	
	1.3	Drive: electric (battery or mains), diesel, petrol, fuel gas	electric	electric	electric	electric	electric	electric	
	1.4	Operator type: hand, pedestrian, standing, seated, order-picker	seated	seated	seated	seated	seated	seated	
	1.5	Load capacity/rated load	Q (kg)	600	800	1000	600	800	1000
	1.6	Load centre distance	c (mm)	400	400	400	400	400	400
	1.8	Load distance, centre of drive axle to fork	x (mm)	280	295	295	280	295	295
	1.9	Wheelbase	y (mm)	895	1150	1150	895	1150	1150
	Weight	2.1	Service Weight	kg	1440	1550	1740	1380	1550
Tyres, chassis	3.1	Tyres: solid rubber, superelastic, pneumatic, polyurethane	solid rubber	solid rubber	solid rubber	solid rubber	solid rubber	solid rubber	solid rubber
	3.2	Tyre size, front	4.00-8	4.00-8	4.00-8	4.00-8	4.00-8	4.00-8	4.00-8
	3.3	Tyre size, rear	3.50-5	3.50-5	3.50-5	3.50-5	3.50-5	3.50-5	3.50-5
	3.5	Wheels, number front rear (x = driven wheels)	2x/2	2x/2	2x/2	2x/2	2x/2	2x/2	2x/2
	3.6	Tread, front	b10 (mm)	713	788	788	713	788	788
	3.7	Tread, rear	b11 (mm)	260	350	350	260	350	350
	Dimensions	4.1	Tilt of mast/fork carriage forward/backward	Grad	4/8	5/10	5/10	4/8	5/10
4.2		Height, mast lowered	h1 (mm)	1755	1755	1755	1755	1755	1755
4.3		Free lift	h2 (mm)	100	100	100	100	100	100
4.4		Lift	h3 (mm)	2500	2500	2500	2500	2500	2500
4.5		Height, mast extended	h4 (mm)	3300	3300	3300	3300	3300	3300
4.7		Height of higher overhead guard	h6 (mm)	1930	1930	1930	1930	1930	1930
4.8		Seat height relating to SIP/stand height	h7 (mm)	980	980	980	980	980	980
4.19		Overall length	l1 (mm)	2153	2420	2420	2153	2420	2438
4.20		Length to face of forks	l2 (mm)	1378	1646	1646	1378	1646	1663
4.21		Overall width	b1 (mm)	840	900	840	900	900	900
4.22		Fork dimensions ISO 2331	s/e/l (mm)	30/80/770	30/80/770	30/80/770	30/80/770	30/80/770	30/80/770
4.23		Fork carriage ISO 2328, class/type A.B		ISO2328 1A	ISO2328 1A	ISO2328 1A	ISO2328 1A	ISO2328 1A	ISO2328 1A
4.24		Fork-carriage width	b3 (mm)	780	860	860	780	860	860
4.25		Distance between fork-arms	b5 (mm)	160/780	160/780	160/780	160/780	160/780	160/780
4.31		Ground clearance, laden, below mast	m1 (mm)	75	75	75	75	75	75
4.32		Ground clearance, centre of wheelbase	m2 (mm)	75	75	75	75	75	75
4.33		Aisle width for pallets 1000 x 1200 crossways	Ast (mm)	2700	2960	2960	2700	2960	2970
4.34		Aisle width for pallets 800 x 1200 lengthways	Ast (mm)	2900	3160	3160	2900	3160	3170
4.35		Turning radius	Wa (mm)	1220	1465	1465	1220	1465	1475
Performance data	5.1	Travel speed, laden/unladen	km/h	9/10	10/12	10/12	9/10	10/12	10/12
	5.2	Lift speed, laden/unladen	mm/s	210/320	250/370	240/370	210/320	250/370	240/370
	5.3	Lowering speed, laden/unladen	mm/s	410	410	410	410	410	410
	5.6	Max. Drawbar pull, laden/unladen	N	/	4400/4600	4400/4600	/	4400/4600	4400/4600
	5.8	Max. gradeability, laden/unladen	%	12/13	12/13	12/13	12/13	12/13	12/13
	5.10	Service brake		Hydraulic	Hydraulic	Hydraulic	Hydraulic	Hydraulic	Hydraulic
5.11	Parking brake		Mechanical	Mechanical	Mechanical	Mechanical	Mechanical	Mechanical	
Electric-engine	6.1	Drive motor rating S2 60 min	kW	1.5	3	3	1.5	3	3
	6.2	Lift motor rating at S3 15%	kW	2.5	4	4	2.5	4	4
	6.3	Battery acc. to DIN 43 531/35/36 A,B,C, no		no	no	no	no	no	no
	6.4	Battery voltage, nominal capacity K5	V/Ah	24/168	24/294	24/400	24/125	24/250	24/250
	6.5	Battery weight	kg	160	290	300	45	95	95
	6.8	Min. battery weight	kg	150	270	340	45	95	95
6.9	Max. battery weight	kg	170	340	340	45	105	105	
Addition data	8.1	Manufacturer of controller		INMOTION/JIACHEN	INMOTION/JIACHEN	INMOTION/JIACHEN	INMOTION/JIACHEN	INMOTION/JIACHEN	INMOTION/JIACHEN
	8.4	Sound level at the driver's ear according to EN / DIN 12 053	dB (A)	67	67	67	67	67	67

Note: \* CE model



$$Ast = a + Wa + x + B \quad a: 200mm$$

