



Hangcha Europe GmbH

Mariechen-Graulich-Straße 12a,
65439 Flörsheim am Main,
Germany

Tel: 0049-61453769188
E-mail: admin@hangchaeurope.com

Mob: 0049-16096548808 (Thomas Dittrich)
E-mail: thomas.dittrich@hangchaeurope.com
Zip Code Area (1,2,3,4,5,6,7)

Mob: 0049-1605272481 (Jens Abmuth)
E-mail: jens.assmuth@hangchaeurope.com
Zip Code Area (0,8,9)

www.hangchaeurope.com



Follow us on
Instagram



Follow us on
Facebook



Follow us on
YouTube



Download "Hangcha
Forklift" App



ISO14001
ISO14001:2015



ISO9001
ISO9001:2015



HANGCHA trucks conform
to the European Safety
Requirements.

2020 VERSION 1/COPYRIGHT 2020/12

HANGCHA GROUP CO., LTD. reserves the right to make any changes without notice concerning colors, equipment, or specifications detailed in this brochure, or to discontinue individual models. The colors of trucks, delivered may differ slightly from those in brochures.

FORKLIFT ATTACHMENT

Fork Positioner/Paper Roll Clamp/Bale Clamp/
Push and Pull/... More than 3000 models
attachment available.

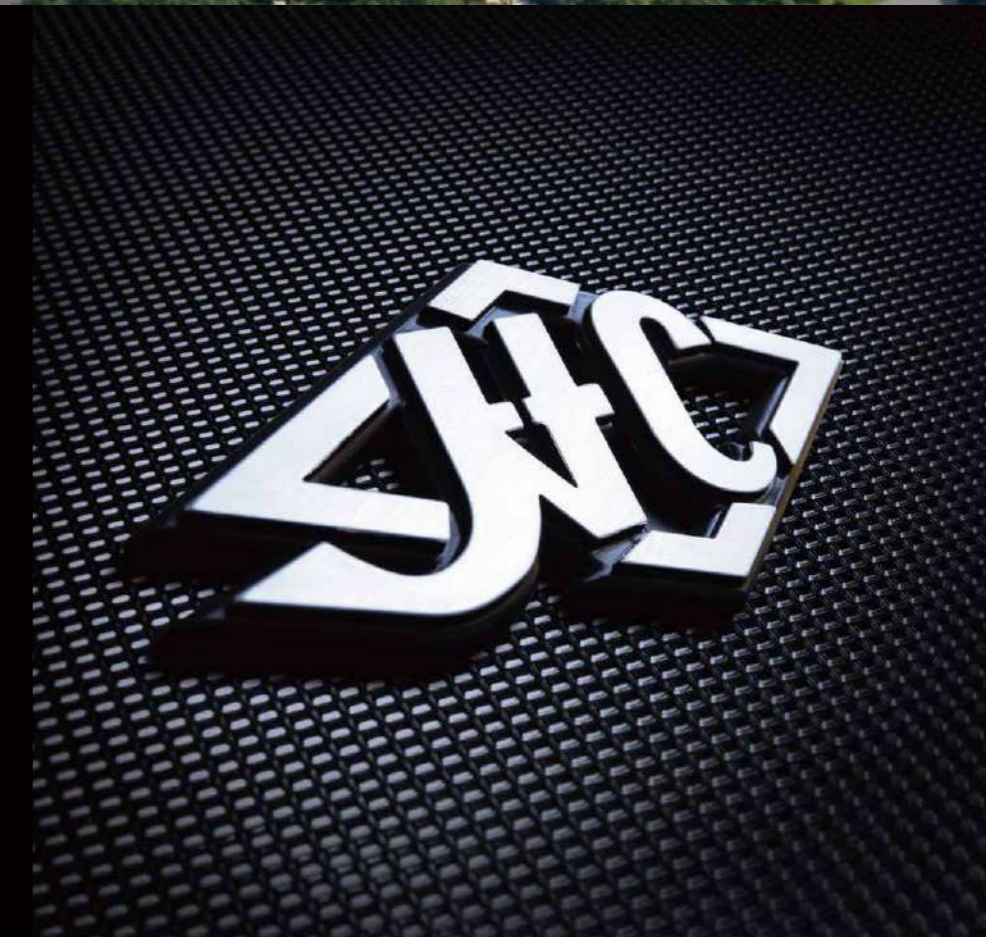


The World of Hangcha



Hangzhou Hangcha Kangli Forklift Attachment Co., Ltd, founded in 1998, is a 100% owned subsidiary of Hangcha Group. With continuous growth of the Hangcha Group, it is to be a professional forklift attachment company integrating R&D, manufacturing, sales and service. We have a variety of attachments, which is more than 30 series with over than 3000 models including side shifter, fork positioner, bale clamp, paper roll clamp, tyre clamp, drum clamp, multi-purpose clamp, reach forks, push& pull, rotator, tilting forks, bucket and so on. Also we can customize attachments according to your special working conditions. Relying on high quality resource of our National Laboratory, we can make the simulation tests on each product. Hangcha can provide efficient equipment for loading, unloading, stacking and short-distance transportation.

We aim to :
--Higher productivity
--Lower operator stress
--Save time & cost
--Add values of forklifts
--Boost forklift sales
Company mission:
Make material handling easier.



ABOUT US

FORK POSITIONER



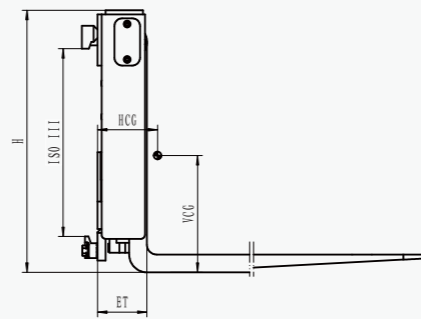
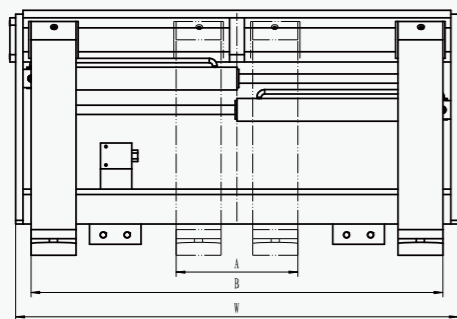
HOW TO CHOOSE

- 1 Fork positioner option for 1.5ton-16ton.
- 2 4-spool hydraulic valves & 4 hose cycles will be needed.
- 3 Provide the mast type information of your current forklift.
- 4 More options, please refer to the product manual.

CHARACTERISTICS

- 1 Adjust the size between the forks according to the pallet size.
- 2 Forks can single move or simultaneously move.
- 3 Can be equipped with side shift function.

SPECIFICATION



Capacity@ Load Center	Catalog Model No.	Adjusting Range	Width of Fork Carriage	Weight	Truck Mounting Class	Effective Trickness (ET)	Horizontal Center of Gravity (HCG)	Available Forklift
kg@mm		mm	mm	kg		mm	mm	t
3500@500	3CS17G-00-1200	330-1120	1200	295	III	80	60	3-3.5

PAPER ROLL CLAMP



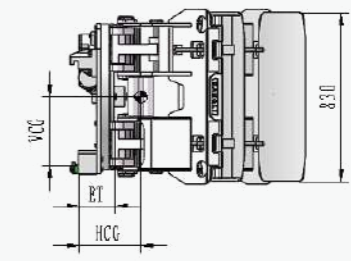
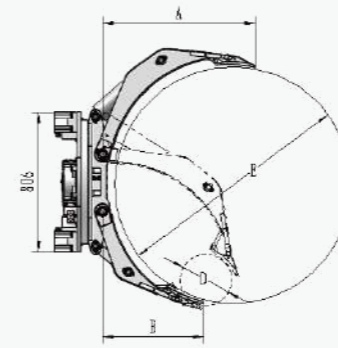
HOW TO CHOOSE

- 1 Paper roll clamp option for 1.5T-10T.
- 2 4-spool hydraulic valves & 4 hose cycles will be needed.
- 3 Should provide material type, height, weight, diameter.
- 4 More options, please refer to the product manual.

CHARACTERISTICS

- 1 For different kinds of paper roll material.
- 2 Equipped with suitable armboard.
- 3 Optional function of rotate or side shift.
- 4 Short arm is fixed or adjustable, for smaller roller.

SPECIFICATION



Capacity@ Max Diameter	Catalog Model No.	Opening Range	Mounting Class	Weight	Effective Trickness (ET)	Horizontal Center of Gravity (HCG)	Available Forklift
kg@mm		mm		kg	mm	mm	t
2000@1400	3CS2K-14	350-1400	III	735	200	225	3-3.5

BALE CLAMP

PUSH AND PULL



HOW TO CHOOSE

- 1 Bale clamp option for 1.5T-10T.
- 2 4-spool hydraulic valves & 4 hose cycles will be needed.
- 3 Should provide material type, size, weight.
- 4 More options, please refer to the product manual.

CHARACTERISTICS

- 1 For different kinds of soft package.
- 2 Optional function of rotate or side shift.
- 3 Widely used in the plant of cotton, waste paper, farm, chemical fiber, scrap iron.



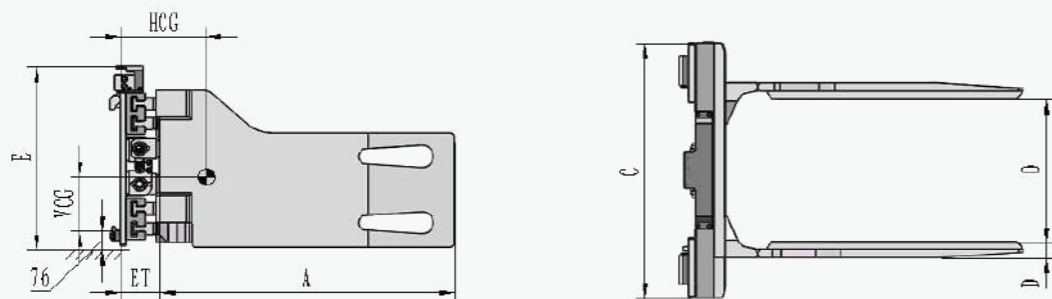
HOW TO CHOOSE

- 1 Push & pull option for 1.5T-3.5T.
- 2 4-spool hydraulic valves & 4 hose cycles will be needed.
- 3 Should provide push stroke, pallet goods size, weight.
- 4 Saving slip sheet or side shifter function, should be noticed before ordered.
- 5 More options, please refer to the product manual.

CHARACTERISTICS

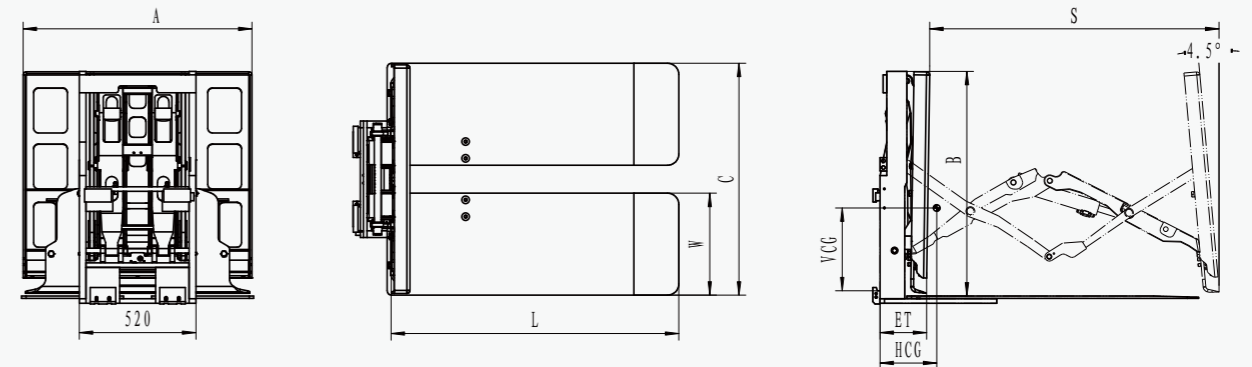
- 1 Applicable in the industry of beer, beverage, chemical fertilizer, plastic particles, ceramic tiles and so on.
- 2 Push and pull function in one control handle.
- 3 Suitable in container load and unload.
- 4 Can equip with side shift function or slide paper stay or left.

SPECIFICATION



Capacity@ Load Center	Catalog Model No.	Mounting Class	Opening Range	Arm Thickness	Arm Height (A)	Arm Length (B)	Frame Width (C)	Weight	Effective Thickness (ET)	Horizontal Center Of Gravity (HCG)	Available Forklift
kg			mm	mm	mm	mm		kg	mm	mm	t
2500@500	ES9B-BCS-122B-J	III	550-1880	65	465	1220	1038	565	170	390	3-3.5

SPECIFICATION



Capacity@ Load Center	Catalog Model No.	Mounting Class	Stroke	Weight	Effective Thickness (ET)	Platen Size (LXW)	Outside Platen Spacing (C)	Horizontal Center Of Gravity (HCG)	Available Forklift
kg@mm			mm	kg	mm	mm	mm	mm	t
2000@600	3CS40-1211B-KL2	III	1200	605	272	1220x455	1015 or 1220	240	3.5

MORE ATTACHMENT OPTIONS

Benefit from additional attachments to help the forklift do their job better.

